



NEO-M9L-01A

Automotive dead reckoning (ADR) GNSS module

Automotive grade

Data sheet



Abstract

This data sheet describes the u-blox NEO-M9L automotive grade automotive dead reckoning (ADR) module. NEO-M9L offers ultra-robust meter-level GNSS positioning performance with concurrent reception of up to four GNSS (GPS, GLONASS, BeiDou, Galileo) together with vehicle speed information and integrated 3D sensors in a 12.2 x 16.0 mm package.

www.u-blox.com

UBX-20016394 - R04
C1-Public



Document information

Title	NEO-M9L-01A	
Subtitle	Automotive dead reckoning (ADR) GNSS module	
Document type	Data sheet	
Document number	UBX-20016394	
Revision and date	R04	19-Mar-2023
Disclosure restriction	C1-Public	

Product status	Corresponding content status	
Functional Sample	Draft	For functional testing. Revised and supplementary data will be published later.
In development / prototype	Objective specification	Target values. Revised and supplementary data will be published later.
Engineering sample	Advance information	Data based on early testing. Revised and supplementary data will be published later.
Initial production	Early production information	Data from product verification. Revised and supplementary data may be published later.
Mass production / End of life	Production information	Document contains the final product specification.

This document applies to the following products:

Product name	Type number	Firmware version	PCN reference	Product status
NEO-M9L	NEO-M9L-01A-00	ADR 5.10	UBX-22037180	End of life
NEO-M9L	NEO-M9L-01A-01	ADR 5.15	UBX-22037180	Mass production

u-blox or third parties may hold intellectual property rights in the products, names, logos and designs included in this document. Copying, reproduction, or modification of this document or any part thereof is only permitted with the express written permission of u-blox. Disclosure to third parties is permitted for clearly public documents only.

The information contained herein is provided "as is" and u-blox assumes no liability for its use. No warranty, either express or implied, is given, including but not limited to, with respect to the accuracy, correctness, reliability and fitness for a particular purpose of the information. This document may be revised by u-blox at any time without notice. For the most recent documents, visit www.u-blox.com.

Copyright © 2023, u-blox AG.

Contents

1 Functional description.....	4
1.1 Overview.....	4
1.2 Performance.....	4
1.3 Supported GNSS constellations.....	5
1.4 Supported protocols.....	6
1.5 Firmware features.....	6
1.6 Automotive dead reckoning.....	6
2 System description.....	8
2.1 Block diagram.....	8
3 Pin definition.....	9
3.1 Pin assignment.....	9
4 Electrical specification.....	11
4.1 Absolute maximum ratings.....	11
4.2 Operating conditions.....	11
4.3 Indicative power requirements.....	12
5 Communications interfaces.....	13
5.1 UART.....	13
5.2 SPI.....	13
5.3 I2C.....	14
5.4 USB.....	16
5.5 WT (wheel tick) and DIR (forward/reverse indication).....	16
5.6 Default interface settings.....	16
6 Mechanical specification.....	17
7 Reliability tests and approvals.....	19
7.1 Approvals.....	19
8 Labeling and ordering information.....	20
8.1 Product labeling.....	20
8.2 Explanation of product codes.....	20
8.3 Ordering codes.....	20
Related documents.....	21
Revision history.....	22

1 Functional description

1.1 Overview

The NEO-M9L-01A GNSS receiver features the u-blox M9 standard precision GNSS platform with 3D automotive dead reckoning (ADR). It provides exceptional sensitivity and acquisition times for all L1 GNSS systems. u-blox M9 receivers are available in different variants to serve automotive and industrial tracking applications, such as navigation, telematics and UAVs.

The u-blox M9 standard precision GNSS platform with ADR, which delivers meter-level accuracy, succeeds the well-known u-blox M8 product range.

u-blox M9 receivers support concurrent reception of four GNSS. The high number of visible satellites allows the receiver to select the best signals. This maximizes the position accuracy, in particular under challenging conditions such as deep urban canyons.

u-blox M9 receivers detect jamming and spoofing events and report them to the host, which allows the system to react to such events. Advanced filtering algorithms mitigate the impact of RF interference and jamming, thus enabling the product to operate as intended.

The receiver also provides higher navigation rate and improved security features compared to previous u-blox GNSS generations.

The intelligent combination of GNSS and sensor measurements enables accurate, real-time positioning, speed and heading information at rates up to 50 Hz. Access to native, high-rate sensor data also enables host applications to make full use of the receiver's assets.

The NEO-M9L-01A module is available in the NEO form factor, which is a 12.2 x 16.0 mm LCC package.

1.2 Performance

Parameter	Specification	
Receiver type	Multi-constellation GNSS standard precision receiver	
Accuracy of time pulse signal	RMS 99%	30 ns 60 ns
Frequency of time pulse signal	0.25 Hz to 10 MHz (configurable)	
Operational limits ¹	Dynamics Altitude Velocity	≤ 4 g 80,000 m 500 m/s
Position error during GNSS loss ²	3D Gyro + 3D accelerometer + WT 3D Gyro + 3D accelerometer	2 % 10 %
Max navigation update rate (PVT) ³	Priority navigation mode Non-priority navigation mode Secondary output	50 Hz 5 Hz 5 Hz
Navigation latency	Priority navigation mode	15 ms

¹ Assuming Airborne 4 g platform

² 68% error incurred without GNSS as a percentage of distance of traveled 3000 m, applicable to four-wheel road vehicle

³ Rates with SBAS and QZSS enabled for > 98% fix report rate under typical conditions

Parameter	Specification	
Velocity accuracy ⁴	0.08 m/s	
Dynamic attitude accuracy ⁴	Heading	0.3 deg
	Pitch	0.4 deg
	Roll	0.6 deg
Max sensor measurement output rate	Raw	100 Hz
	Calibrated	100 Hz

GNSS		GPS+GLO+GAL+BDS	GPS+GLO	BDS+GLO
Acquisition ⁵	Cold start	24 s	25 s	28 s
	Hot start	2 s	2 s	2 s
	Aided start ⁶	3 s	2 s	3 s
Sensitivity ⁷	Tracking and nav.	-159 dBm	-159 dBm	-159 dBm
	Reacquisition	-158 dBm	-158 dBm	-158 dBm
	Cold start	-147 dBm	-148 dBm	-146 dBm
	Hot start	-159 dBm	-159 dBm	-158 dBm
Position accuracy PVT ⁸	Horizontal	1.5 m	1.7 m	2.5 m
	Vertical	3 m	3.5 m	4.5 m

Table 1: NEO-M9L-01A typical performance in multi-constellation GNSS modes

1.3 Supported GNSS constellations

The NEO-M9L-01A is a concurrent GNSS receiver which can receive and track multiple GNSS systems. The NEO-M9L-01A receiver can be configured for concurrent GPS, GLONASS, Galileo and BeiDou plus SBAS and QZSS reception. If power consumption is a key factor, then the receiver can be configured for a subset of GNSS constellations.

Supported GNSS systems and their signals are:

GPS / QZSS	GLONASS	Galileo	BeiDou
L1C/A (1575.42 MHz)	L1OF (1602 MHz + k*562.5 kHz, k = -7,..., 5, 6)	E1-B/C (1575.42 MHz)	B1I (1561.098 MHz)

Table 2: Supported GNSS systems and signals

The following GNSS assistance services can be activated:

AssistNow™ Online	AssistNow™ Offline	AssistNow™ Autonomous
Supported	Not supported	Not supported

Table 3: Supported assisted GNSS (A-GNSS) services

NEO-M9L-01A supports the following augmentation systems:

SBAS	QZSS	IMES	Differential GNSS
EGNOS, GAGAN, MSAS and WAAS supported	L1S supported	Not supported	Not supported

Table 4: Supported augmentation systems

⁴ 68% at 30 m/s for dynamic operation

⁵ Commanded starts. All satellites at -130 dBm. GPS always in combination with QZSS and SBAS. Measured at room temperature.

⁶ Dependent on the speed and latency of the aiding data connection, commanded starts.

⁷ Demonstrated with a good external LNA. Measured at room temperature.

⁸ CEP, 50%, open sky with SBAS and QZSS enabled, -130 dBm, > 6 SVs



The SBAS and QZSS augmentation systems can be enabled only if GPS operation is also enabled.

1.4 Supported protocols

The NEO-M9L-01A supports the following protocols:

Protocol	Type
UBX	Input/output, binary, u-blox proprietary
NMEA 4.11 (default), 4.10, 4.0, 2.3, and 2.1	Input/output, ASCII

Table 5: Supported protocols

For specification of the protocols, see the Interface description [2].

1.5 Firmware features

Feature	Description
Advanced calibration handling	Calibration information can be stored with the host
Assisted GNSS	AssistNow Online supported
Automotive dead reckoning	Combines satellite and sensor-based navigation (IMU and odometer input)
Automatic alignment	Automatic estimation of the alignment angles (automotive dynamic model only)
Backup modes	Hardware backup mode, software backup mode
Dual output	GNSS only and Fused (GNSS+DR) output
Geofencing	
Untethered dead reckoning	Combines satellite and sensor-based navigation (IMU)
Upgradeable firmware	Firmware in flash memory can be upgraded
Wake on motion	Wakes up the receiver and the host while the receiver is in SW backup mode
Weak signal compensation	Improves position and speed accuracy with low signal levels

Table 6: Firmware features

Feature	Description
Anti-jamming	RF interference and jamming detection and reporting
Anti-spoofing	Spoofing detection and reporting
Configuration lockdown	Receiver configuration can be locked by command
Message integrity	All messages signed with SHA-256
Secure boot	Only signed FW images executed

Table 7: Security features

1.6 Automotive dead reckoning

u-blox's proprietary automotive dead reckoning (ADR) solution uses a 3D inertial measurement unit (IMU) included within the module, and speed pulses from the vehicle's wheel tick (WT) sensor. Alternatively, the vehicle speed data can be provided as messages via a serial interface. Sensor data and GNSS signals are processed together, achieving 100% coverage, with highly accurate and continuous positioning even in GNSS-hostile environments (for example, urban canyons) or in case of GNSS signal absence (for example, tunnels and parking garages).

WT or speed sensor rate variations and the 3D IMU sensors are calibrated automatically and continuously by the module, accommodating automatically to, for example, vehicle tire wear.



For more details, see the integration manual [1].

The NEO-M9L-01A combines GNSS and dead reckoning measurements and computes a position solution at rates of up to 50 Hz in the priority navigation mode.



The NEO-M9L-01A will work optimally in priority navigation mode when the IMU and WT sensors are calibrated, and the alignment angles are configured properly.

Dead reckoning allows navigation to commence as soon as power is applied to the module (that is, before a GNSS fix has been established) under the following conditions:

- The vehicle has not been moved while the module has been switched off.
- At least a dead reckoning fix was available when the vehicle was last used.
- A backup supply has been available for the module since the vehicle was last used.



The save-on-shutdown feature can be used when no backup supply is available. All information necessary will be saved to the flash and read from the flash upon restart.



The advanced calibration handling feature can be used when no backup supply is available or the save-on-shutdown feature cannot be used. This feature allows the host to poll and later send the sensor initialization and calibration parameters.

2 System description

2.1 Block diagram

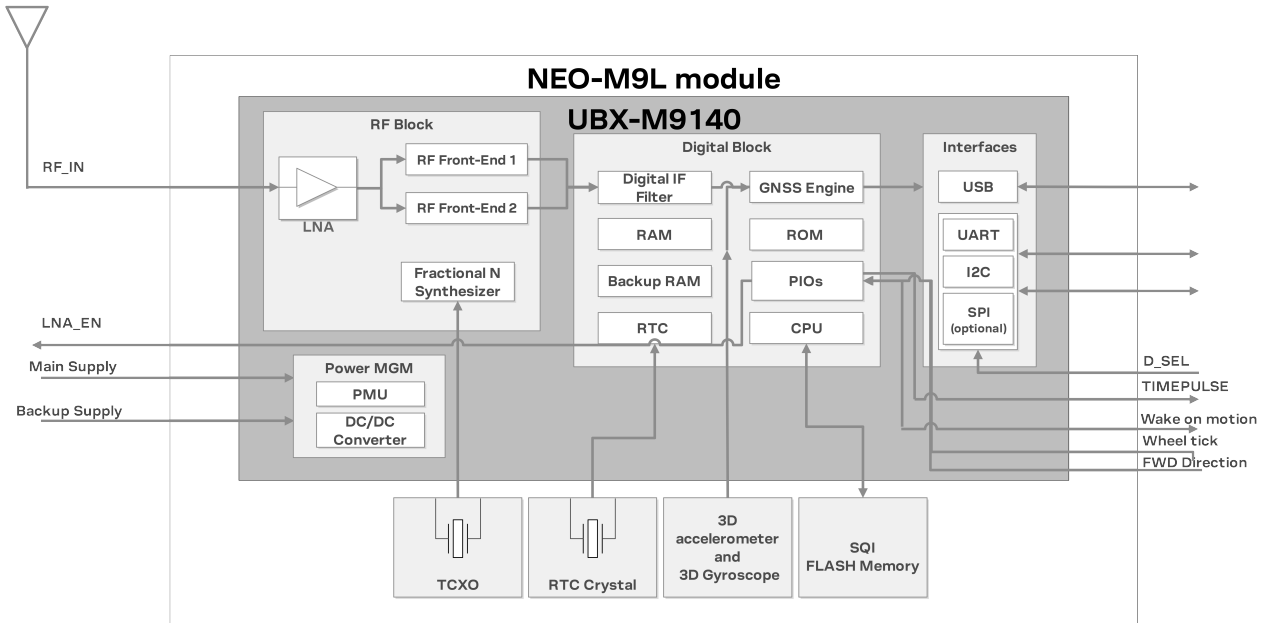


Figure 1: NEO-M9L-01A block diagram

3 Pin definition

3.1 Pin assignment

The pin assignment of the NEO-M9L-01A module is shown in [Figure 2](#). The defined configuration of the PIOs is listed in [Table 8](#).

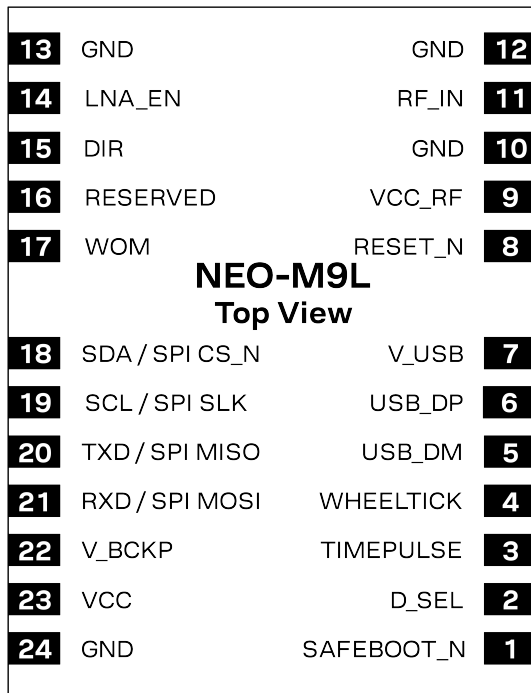


Figure 2: NEO-M9L-01A pin assignment

Pin no.	Name	I/O	Description
1	SAFEBOOT_N	I	SAFEBOOT_N (used for FW updates and reconfiguration, leave open) ⁹
2	D_SEL	I	Interface select (open or VCC = UART + I2C; GND = SPI)
3	TIMEPULSE	O	TIMEPULSE (1 PPS, TP2) ⁹
4	WHEELTICK	I	Wheel-tick input
5	USB_DM	I/O	USB data (DM)
6	USB_DP	I/O	USB data (DP)
7	V_USB	I	USB supply
8	RESET_N	I	RESET (active low)
9	VCC_RF	O	Voltage for external LNA
10	GND	I	Ground
11	RF_IN	I	GNSS signal input
12	GND	I	Ground
13	GND	I	Ground
14	LNA_EN	O	Antenna/LNA control

⁹ The receiver enters safeboot mode if this pin is low at start up. The SAFEBOOT_N pin is internally connected to TIMEPULSE pin through a 1 kΩ series resistor.

Pin no.	Name	I/O	Description
15	DIR	I	Direction input for speed pulse
16	Reserved	-	Reserved
17	WOM	O	Wake on motion interrupt
18	SDA / SPI CS_N	I/O	I2C data if D_SEL = VCC (or open); SPI chip select if D_SEL = GND
19	SCL / SPI SLK	I/O	I2C clock if D_SEL = VCC (or open); SPI clock if D_SEL = GND
20	TXD / SPI MISO	O	UART output if D_SEL = VCC (or open); SPI MISO if D_SEL = GND
21	RXD / SPI MOSI	I	UART input if D_SEL = VCC (or open); SPI MOSI if D_SEL = GND
22	V_BCKP	I	Backup voltage supply
23	VCC	I	Supply voltage
24	GND	I	Ground

Table 8: NEO-M9L-01A pin assignment



For detailed information on the pin functions and characteristics see the integration manual [1].

4 Electrical specification



CAUTION Operating the device above one or more of the limiting values may cause permanent damage to the device. The values provided in this chapter are stress ratings. Extended exposure to the values outside the limits may effect the device reliability.



Where application information is given, it is advisory only and does not form part of the specification.



For detailed information on the device integration, see the integration manual [1].

4.1 Absolute maximum ratings

Parameter	Symbol	Condition	Min	Max	Units
Power supply voltage	VCC		-0.5	3.6	V
Voltage ramp on VCC ¹⁰			20	8000	µs/V
Backup battery voltage	V_BCKP		-0.5	3.6	V
Voltage ramp on V_BCKP ¹⁰			20		µs/V
Input pin voltage	Vin	VCC ≤ 3.1 V	-0.5	VCC + 0.5	V
		VCC > 3.1 V	-0.5	3.6	V
VCC_RF output current	ICC_RF			300	mA
Supply voltage USB	V_USB		-0.5	3.6	V
USB signals	USB_DM, USB_DP		-0.5	V_USB + 0.5	V
Input power at RF_IN	Prfin	source impedance = 50 Ω, continuous wave		13 ¹¹	dBm
Storage temperature	Tstg		-40	+105	°C

Table 9: Absolute maximum ratings



CAUTION Risk of equipment damage. This product is not protected against overvoltage or reversed voltages. Use appropriate protection diodes to avoid voltage spikes exceeding the specified boundaries damaging the equipment.

4.2 Operating conditions



The values for the following operating conditions have been specified at 25°C ambient temperature. Extreme operating temperatures can significantly impact the specified values. If an application operates near the min or max temperature limits, ensure the specified values are not exceeded.

Parameter	Symbol	Min	Typical	Max	Units	Condition
Power supply voltage	VCC	2.7	3.0	3.6	V	
Backup battery voltage	V_BCKP	1.65		3.6	V	
Backup battery current ¹²	I_BCKP		45		µA	V_BCKP = 3 V, VCC = 0 V
SW backup current	I_SWBCKP		1.5		mA	
Input pin voltage range	Vin	0		VCC	V	


¹⁰ Exceeding the ramp speed may permanently damage the device

¹¹ +13 dBm for outband; 0 dBm for inband

¹² To measure the I_BCKP the receiver should first be switched on, i.e. VCC and V_BCKP is available. Then set VCC to 0 V while the V_BCKP remains available. Afterward measure the current consumption at the V_BCKP.


Parameter	Symbol	Min	Typical	Max	Units	Condition
Digital IO pin low level input voltage	V _{il}			0.4	V	
Digital IO pin high level input voltage	V _{ih}	0.8 * VCC			V	
Digital IO pin low level output voltage	V _{ol}			0.4	V	I _{ol} = 2 mA ¹³
Digital IO pin high level output voltage	V _{oh}	VCC - 0.4			V	I _{oh} = 2 mA ¹³
Pull-up resistance for SCL, SDA	R _{pu}	7	15	30	kΩ	
Pull-up resistance for D_SEL, RXD, TXD, SAFEBOOT_N, EXTINT	R _{pu}	30	75	130	kΩ	
Pull-up resistance for RESET_N	R _{pu}	7	10	13	kΩ	
VCC_RF voltage	VCC_RF		VCC - 0.1		V	
VCC_RF output current	ICC_RF			50	mA	
Receiver chain noise figure ¹⁴	NF _{tot}		5		dB	
External gain (at RF_IN)	Ext_gain			30	dB	
Operating temperature	Topr	-40	+25	+105	°C	

Table 10: Operating conditions

 Operation beyond the specified operating conditions can affect the device reliability.

4.3 Indicative power requirements

Table 11 provides examples of typical current requirements when using a cold start command. The given values are total system supply current for a possible application including RF and baseband sections.

 The actual power requirements vary depending on the FW version used, external circuitry, number of satellites tracked, signal strength, type and time of start, duration, and conditions of test.

Symbol	Parameter	Conditions	GPS+GLO+GAL+BDS	GPS+GLO	BDS+GLO	Unit
I _{PEAK}	Peak current	Acquisition	65	60	62	mA
I _{VCC} ¹⁵	VCC current	Acquisition	48	40	45	mA
		Tracking	45	40	42	mA

Table 11: Currents to calculate the indicative power requirements

All values in Table 11 are measured at 25 °C ambient temperature. SBAS and QZSS are activated in all measurements.

¹³ TIMEPULSE has 4 mA current drive/sink capability

¹⁴ Only valid for GPS

¹⁵ Simulated signal, current measured at 3.0 V

5 Communications interfaces

The NEO-M9L-01A has several communications interfaces, including UART, SPI, I2C and USB.

All the inputs have internal pull-up resistors in normal operation and can be left open if not used. All the PIOs are supplied by VCC, therefore all the voltage levels of the PIO pins are related to VCC supply voltage.

5.1 UART

The NEO-M9L-01A has one UART interface which supports configurable baud rates. See the integration manual [1].

Hardware flow control is not supported.

The UART1 is enabled if D_SEL pin of the module is left open or "high".

Symbol	Parameter	Min	Max	Unit
R_U	Baud rate	4800	921600	bit/s
Δ_{Tx}	Tx baud rate accuracy	-1%	+1%	-
Δ_{Rx}	Rx baud rate tolerance	-2.5%	+2.5%	-

Table 12: NEO-M9L-01A UART specifications

5.2 SPI

The SPI interface is disabled by default. The SPI interface shares pins with UART and I2C and can be selected by setting D_SEL = 0. The SPI interface can be operated in slave mode only. The maximum transfer rate using SPI is 125 kB/s and the maximum SPI clock frequency is 5.5 MHz.

The SPI timing parameters for slave operation are defined in Figure 3. Default SPI configuration is CPOL = 0 and CPHA = 0.

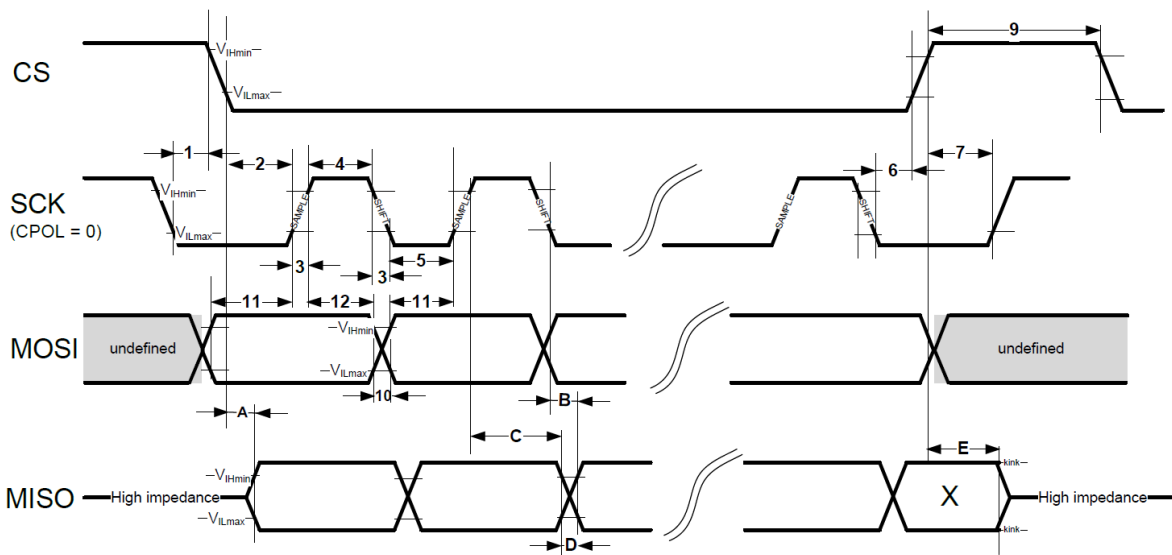


Figure 3: NEO-M9L-01A SPI specification mode 1: CPHA=0 SCK = 5.33 MHz

Symbol	Parameter	Min	Max	Unit
1	CS deassertion hold time	23	-	ns

Symbol	Parameter	Min	Max	Unit
2	Slave select time (CS to SCK)	20	-	ns
3	SCK rise/fall time	-	7	ns
4	SCK high time	24	-	ns
5	SCK low time	24	-	ns
6	Slave deselect time (SCK falling to CS)	30	-	ns
7	Slave deselect time (CS to SCK)	30	-	ns
9	CS high time	32	-	ns
10	MOSI transition time	-	7	ns
11	MOSI setup time	16	-	ns
12	MOSI hold time	24	-	ns

Table 13: SPI slave input timing parameters 1 - 12

Symbol	Parameter	Min	Max	Unit
A	MISO data valid time (CS)	12	40	ns
B	MISO data valid time (SCK), weak driver mode	15	40	ns
C	MISO data hold time	100	140	ns
D	MISO rise/fall time, weak driver mode	0	5	ns
E	MISO data disable lag time	15	35	ns

Table 14: SPI slave timing parameters A - E, 2 pF load capacitance

Symbol	Parameter	Min	Max	Unit
A	MISO data valid time (CS)	16	55	ns
B	MISO data valid time (SCK), weak driver mode	20	55	ns
C	MISO data hold time	100	150	ns
D	MISO rise/fall time, weak driver mode	3	20	ns
E	MISO data disable lag time	15	35	ns

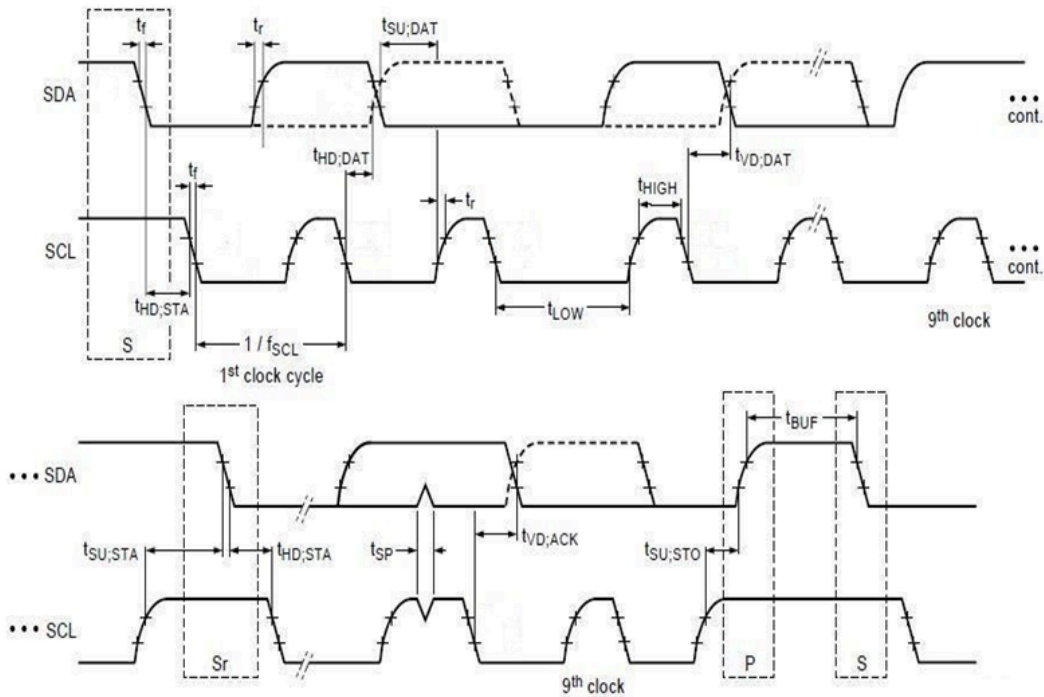
Table 15: SPI slave timing parameters A - E, 20 pF load capacitance

Symbol	Parameter	Min	Max	Unit
A	MISO data valid time (CS)	26	85	ns
B	MISO data valid time (SCK), weak driver mode	30	85	ns
C	MISO data hold time	110	160	ns
D	MISO rise/fall time, weak driver mode	13	45	ns
E	MISO data disable lag time	15	35	ns

Table 16: SPI slave timing parameters A - E, 60 pF load capacitance

5.3 I2C

An I2C interface is available for communication with an external host CPU in I2C Fast-mode. Backwards compatibility with Standard-mode I2C bus operation is not supported. The interface can be operated only in slave mode with a maximum bit rate of 400 kbit/s. The interface can make use of clock stretching by holding the SCL line LOW to pause a transaction. In this case, the bit transfer rate is reduced. The maximum clock stretching time is 20 ms.


Figure 4: NEO-M9L-01A I2C slave specification


Symbol	Parameter	I2C Fast-mode		Unit
		Min	Max	
f_{SCL}	SCL clock frequency	0	400	kHz
$t_{HD,STA}$	Hold time (repeated) START condition	0.6	-	μs
t_{LOW}	Low period of the SCL clock	1.3	-	μs
t_{HIGH}	High period of the SCL clock	0.6	-	μs
$t_{SU,STA}$	Setup time for a repeated START condition	0.6	-	μs
$t_{HD,DAT}$	Data hold time	0 ¹⁶	- ¹⁷	μs
$t_{SU,DAT}$	Data setup time	100 ¹⁸	-	ns
t_r	Rise time of both SDA and SCL signals	-	300 (for C = 400pF)	ns
t_f	Fall time of both SDA and SCL signals	-	300 (for C = 400pF)	ns
$t_{SU,STO}$	Setup time for STOP condition	0.6	-	μs
t_{BUF}	Bus-free time between a STOP and START condition	1.3	-	μs
$t_{VD,DAT}$	Data valid time	-	0.9 ¹⁷	μs
$t_{VD,ACK}$	Data valid acknowledge time	-	0.9 ¹⁷	μs
V_{nL}	Noise margin at the low level	0.1 VCC	-	V
V_{nH}	Noise margin at the high level	0.2 VCC	-	V

Table 17: NEO-M9L-01A I2C slave timings and specifications

¹⁶ External device must provide a hold time of at least one transition time (max 300 ns) for the SDA signal (with respect to the min V_{ih} of the SCL signal) to bridge the undefined region of the falling edge of SCL.

¹⁷ The maximum $t_{HD,DAT}$ must be less than the maximum $t_{VD,DAT}$ or $t_{VD,ACK}$ with a maximum of 0.9 μs by a transition time. This maximum must only be met if the device does not stretch the LOW period (t_{LOW}) of the SCL signal. If the clock stretches the SCL, the data must be valid by the set-up time before it releases the clock.

¹⁸ When the I2C slave is stretching the clock, the $t_{SU,DAT}$ of the first bit of the next byte is 62.5 ns.

 The I2C interface is only available with the UART default mode. If the SPI interface is selected by using D_SEL = 0, the I2C interface is not available.

5.4 USB

The USB 2.0 FS (full speed, 12 Mbit/s) interface can be used for host communication. Due to the hardware implementation, it may not be possible to certify the USB interface. The V_USB pin supplies the USB interface.

5.5 WT (wheel tick) and DIR (forward/reverse indication)


NEO-M9L-01A pin 4 (WT) is available as a wheel-tick input. The pin 15 (DIR) is available as a direction input (forward/reverse indication).

By default the wheel tick count is derived from the rising edges of the WT input.

For optimal performance the wheel tick resolution should be less than 5 cm. With the maximum supported wheel tick resolution is 40 cm.

The DIR input shall indicate whether the vehicle is moving forwards or backwards.

Alternatively, the vehicle WT (or speed) and DIR inputs can be provided via one of the communication interfaces with UBX-ESF-MEAS messages.

 For more details, see the integration manual [1].

5.6 Default interface settings

Interface	Settings
UART	38400 baud, 8 bits, no parity bit, 1 stop bit. Output messages: NMEA GGA , GLL , GSA , GSV , RMC , VTG , TXT (no UBX). Input protocols: UBX and NMEA.
USB	Output messages activated as in UART. Input protocols available as in UART.
I2C	Output messages activated as in UART. Input protocols available as in UART.
SPI	Output messages activated as in UART. Input protocols available as in UART.

Table 18: Default interface settings

 Refer to the applicable interface description [2] for information about further settings.

By default the NEO-M9L-01A outputs NMEA messages that include satellite data for all GNSS bands being received. This results in a higher-than-before NMEA load output for each navigation period. Make sure the UART baud rate being used is sufficient for the selected navigation rate and the number of GNSS signals being received.

6 Mechanical specification

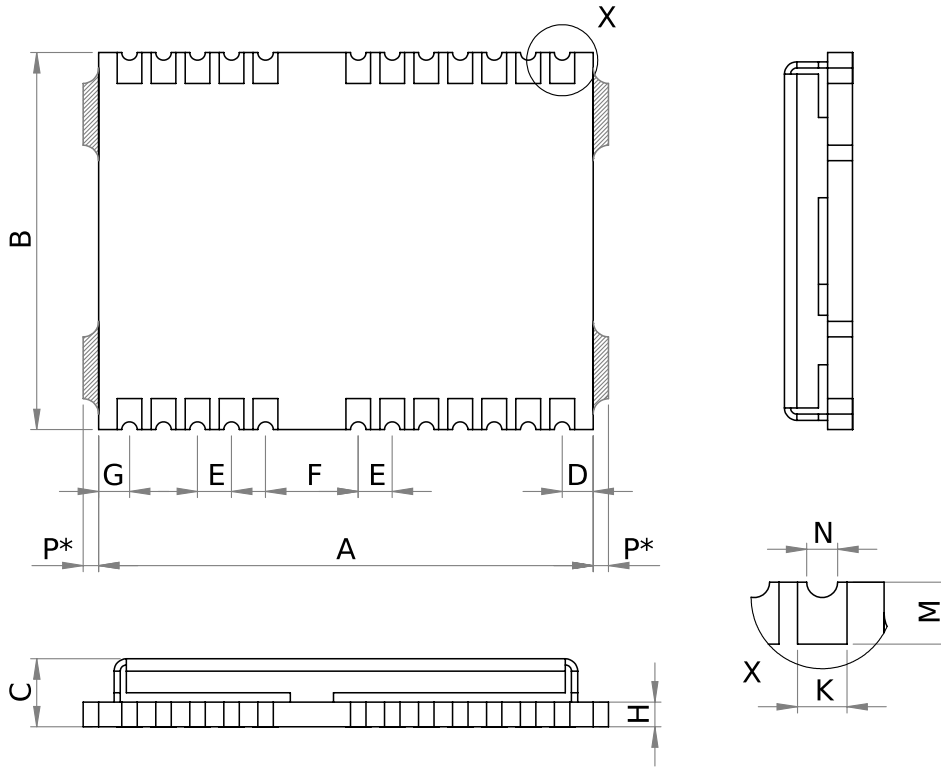




Figure 5: NEO-M9L-01A mechanical drawing

Symbol	Min (mm)	Typical (mm)	Max (mm)	
A	15.9	16.0	16.1	
B	12.1	12.2	12.3	
C	2.2	2.4	2.6	
D	0.9	1.0	1.1	
E	1.0	1.1	1.2	
F	2.9	3.0	3.1	
G	0.9	1.0	1.1	
H	-	0.82	-	
K	0.7	0.8	0.9	
M	0.8	0.9	1.0	
N	0.4	0.5	0.6	
P*	0.0	-	0.5	The de-paneling residual tabs may be on either side (not both).
Weight		1.6 g		

Table 19: NEO-M9L-01A mechanical dimensions

-  The mechanical picture of the de-paneling residual tabs (P*) is an approximate representation, shape and position may vary.
-  Component keep-out area must consider that the de-paneling residual tabs can be on either side (not both).

7 Reliability tests and approvals

NEO-M9L-01A modules are based on AEC-Q100 qualified GNSS chips.

Tests for product family qualifications comply with AEC-Q104 "Failure Mechanism Based Stress Test Qualification For Multichip Modules (MCM) In Automotive Applications", and appropriate standards.

7.1 Approvals

NEO-M9L-01A complies with the essential requirements and other relevant provisions of the Radio Equipment Directive (RED) 2014/53/EU.

NEO-M9L-01A complies with the Directive 2011/65/EU (EU RoHS 2) and its amendment Directive (EU) 2015/863 (EU RoHS 3).

The Declaration of Conformity (DoC) is available on the [u-blox website](#).

8 Labeling and ordering information

This section provides information about product labeling and ordering. For information about moisture sensitivity level (MSL), product handling and soldering see the Integration manual [1].

8.1 Product labeling

The labeling of the NEO-M9L-01A modules provides product information and revision information. For more information contact u-blox sales.

8.2 Explanation of product codes

Three product code formats are used in the NEO-M9L-01A labels. The **Product name** used in documentation such as this data sheet identifies all u-blox products, independent of packaging and quality grade. The **Ordering code** includes options and quality, while the **Type number** includes the hardware and firmware versions.

Table 20 below details these three formats.

Format	Structure	Product code
Product name	PPP-TGV	NEO-M9L
Ordering code	PPP-TGV-NNQ	NEO-M9L-01A
Type number	PPP-TGV-NNQ-XX	NEO-M9L-01A-01

Table 20: Product code formats

The parts of the product code are explained in Table 21.

Code	Meaning	Example
PPP	Product family	NEO
TG	Platform	M9 = u-blox M9
V	Variant	L = ADR
NNQ	Option / Quality grade	NN: Option [00...99] Q: Grade, A = Automotive, B = Professional
XX	Product detail	Describes hardware and firmware versions

Table 21: Part identification code

8.3 Ordering codes

Ordering code	Product	Remark
NEO-M9L-01A	u-blox NEO-M9L module, automotive grade	

Table 22: Product ordering codes



Product changes affecting form, fit or function are documented by u-blox. For a list of Product Change Notifications (PCNs) see our website at: <https://www.u-blox.com/en/product-resources>.

Related documents

- [1] NEO-M9L Integration manual, [UBX-20048485](#)
- [2] ADR 5.15 Interface description, [UBX-22037101](#)
- [3] Packaging information for u-blox chips, modules, and antennas, [UBX-14001652](#)



For regular updates to u-blox documentation and to receive product change notifications please register on our homepage <https://www.u-blox.com>.

Revision history

Revision	Date	Name	Status / comments
R01	24-Jan-2022	ssid	Engineering Sample
R02	30-May-2022	ssid	Initial production - removed NAV-ODO from the firmware feature list
R03	12-Dec-2022	njaf	Mass production for NEO-M9L-01A-01 with ADR 5.15 FW End of life for NEO-M9L-01A-00 with ADR 5.10 FW Updated mechanical specifications
R04	19-Mar-2023	njaf	Updated I2C and SPI timing specifications in section Communications interfaces Updated VCC_RF output current in table Absolute maximum ratings Updated backup current in table Operating conditions Added timepulse details in table Operating conditions

Contact

u-blox AG

Address: Zürcherstrasse 68
8800 Thalwil
Switzerland

For further support and contact information, visit us at www.u-blox.com/support.