

C94-M8P

u-blox RTK application board package

Highlights

- Based on u-blox NEO-M8P-2 module
- Application board for professional prototyping
- Easy integration of RTK high accuracy solutions
- Base and rover functionality
- Integrated radio link



C94-M8P application board

Product description

The C94-M8P application board allows efficient integration and evaluation of NEO-M8P, u-blox's M8 high precision positioning module.

The NEO-M8P module series introduces the concept of a "Rover" and a "Base Station", bringing RTK technology to u-blox's product portfolio. By using a data stream from the base station, the rover can output its relative position with stunning cm-level accuracy in clear sky environments.

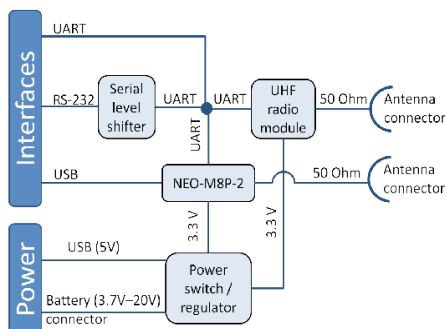
The C94-M8P application board integrates NEO-M8P-2 module with both base station and rover functionality. The C94-M8P includes a UHF radio link, allowing for easy setup and fast prototyping. The board also provides connector pins for u-blox C027 and other application boards, enabling communication alternatives using u-blox cellular and short-range technologies.

Application board package

The application board package includes

- 2 application boards (both with NEO-M8P-2)
- 2 external UHF antennas
- 2 external active GNSS antennas
- 2 antenna ground planes
- 2 micro-USB cables

Block diagram



Legal Notice

u-blox reserves all rights to this document and the information contained herein. Products, names, logos and designs described herein may in whole or in part be subject to intellectual property rights. Reproduction, use, modification or disclosure to third parties of this document or any part thereof without the express permission of u-blox is strictly prohibited.

The information contained herein is provided "as is". No warranty of any kind, either express or implied, is made in relation to the accuracy, reliability, fitness for a particular purpose or content of this document. This document may be revised by u-blox at any time. For most recent documents, please visit www.u-blox.com.

Copyright © 2017, u-blox AG

Features

Receiver	NEO-M8P-2 GNSS module with support for both active and passive antennas
Radio link	UHF operation in the license free bands. See product variants.

Interfaces

RS232	serial interface to radio module
USB	micro USB port for GNSS data and power supply
UART	pins for UART communication (e.g. C027), 3.3 V
Antennas	SMA connector for GNSS and UHF antennas
Power supply	USB, 5 V Battery (5.05 mm pitch 2-pin), 3.7 V - 20 V
LED	RTK status and Timepulse
Protocols	NMEA, UBX binary, RTCM

Deliverable

C94-M8P board schematic available on request

Supported external communication

C027-C20/U20/G35 Application board for cellular communication

Product variants

The product variants come with UHF operation on license free bands, for specified regions.

C94-M8P-1	China (433 MHz)
C94-M8P-2	USA and Canada (915 MHz)
C94-M8P-3	Europe (433 MHz)
C94-M8P-4	Japan (920 MHz)

Contact us

For contact information, see www.u-blox.com/contact-us.