

## Memo

<b>Topic :</b>	Connecting serial EEPROM to NEO-4S
	GPS.G4-MS4-06138
<b>Author:</b>	TG
<b>Date :</b>	22/11/2006
<b>To :</b>	

We reserve all rights in this document and in the information contained therein. Reproduction, use or disclosure to third parties without express authority is strictly forbidden.

© 2006 u-blox AG

The NEO-4S module can be connected to a serial EEPROM in accordance with the below diagram Figure 1.

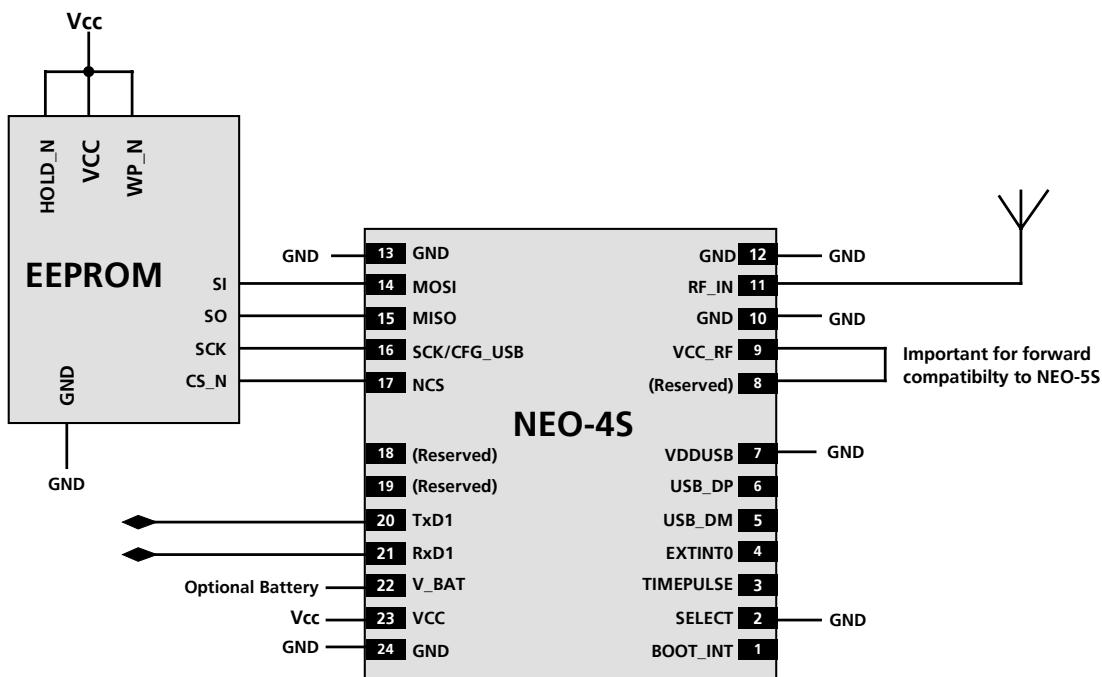


Figure 1: Connecting serial EEPROM to NEO-4S

Please note that only those EEPROMs explicitly listed in Table 1 are supported.

Also note that for forward compatibility the NEO-5S may or may not support the use of the SPI EEPROM, therefore we recommend reconfiguring through the serial interface.

Producer	EEPROM Model
Atmel	AT25320A-10TU-1.8
Atmel	AT25160A-10-10TU-1.8
ST	M95320-RDW6TP
ST	M95160-RDW6TP

Table 1: Supported EEPROMS